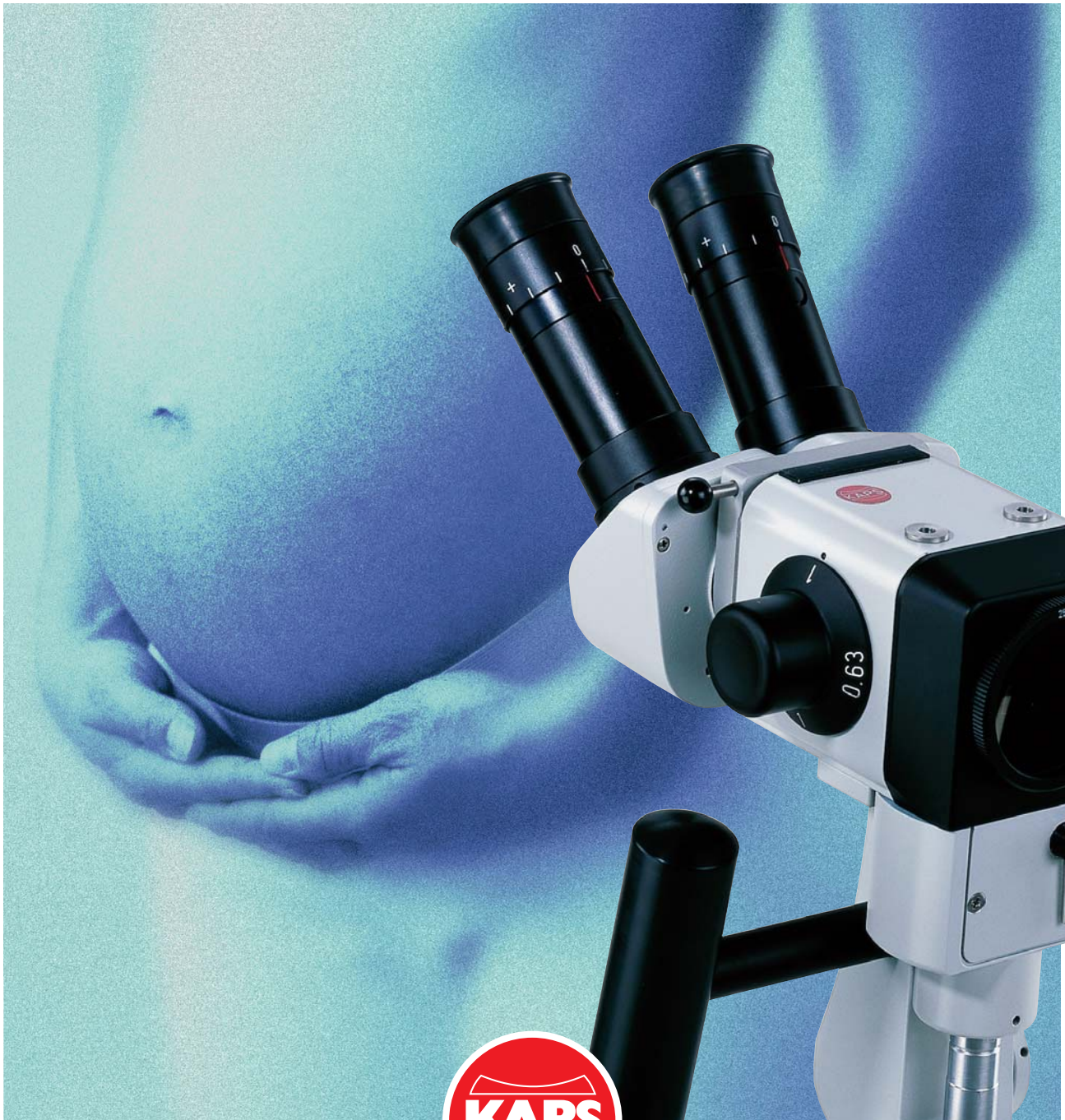




Kaps KP3000 Colposcopes

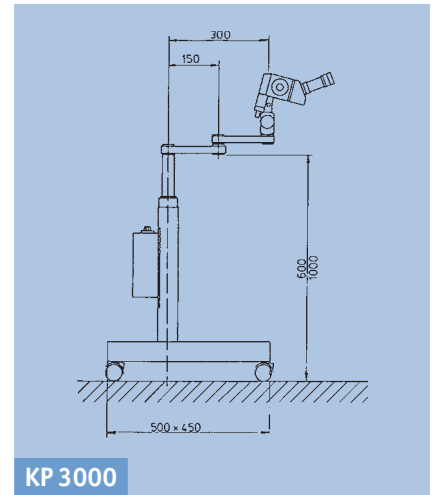
For The Modern Gynaecology Practice



Colposcope KP 3000

No Compromise On Quality

Successful diagnosis begins with the colposcope. The KP3000, with its modern, contemporary design, has been specially developed for daily diagnosis purposes. Despite its attractive price, the KP3000 meets our high standards of quality, while not compromising accessories. A comprehensive range of accessories is available for this handy, flexible instrument. Whether mounted to a tripod or to the chair, the high-power, fibre optic, cold light source combined with single magnification or 3-step changer, straight or inclined binocular tubes, interchangeable lenses and eyepieces, the T-handle which can be mounted at either side, provide an exceptionally high degree of flexibility in day-to-day use. An optional video camera can be integrated enabling coobservation as well as documentation via video tape recording or computerization.



KP 3000

KP 3000 with inclined tube
($f=125$ mm) 3-step magnification
changer and T-handle



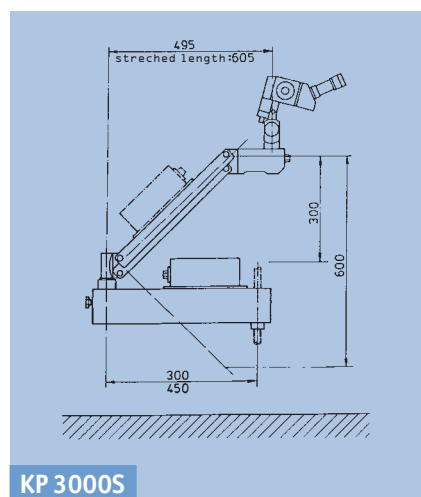
Mounting To The Examination Chair

The colposcope head and illumination of the KP 3000S are the same as those used on the KP3000. The KP3000S can be mounted to the left or to the right of all customary examination chairs with various mountings.

The combination swivel and suspension arm permits exact positioning of the KP 3000S, for comfortable, timesaving handling. When not in use, it can be swung aside, thus saving space.

Special features
Rolling (4 wheel base) or firm attachment to examine chairs and tables
Easy one hand movability into horizontal and vertical direction
Bright coaxial fiber optic illumination, continuously adjustable (115 V)
Green filter
Magnification changer 3-step
Straight or inclined binocular tubes on choice
Changeable objectives and eyepieces
Handle controlled precision focusing
Integrated video system "vision" can be adapted
Integrated T-handle
Integrated beam splitter C-Mount

Colposcope KP 3000S



KP 3000S



KP 3000S with straight tube
($f=125\text{mm}$) fixed magnification
and T-handle



Accessories For Kaps Colposcopes



Cold light source 12V/100W, continuously variable, ready for operation (can also be used as a separate cold light source in endoscopy). Adapters for cold light cables from Wolf, Storz, Olympus, ACMI and other manufacturers are available.

Replacement cold light cable: Kaps l=750 mm or l=1,400 mm (other lengths available on request)



Integrated beam splitter VISION. Being only 34.5 mm high and weighing only 265 grams, this will not restrict handling of the colposcope in any way. No adjustment of the camera is needed, thus guaranteeing fast, trouble-free installation between the tube and the microscope changer. The system can be adapted to fit all Kaps microscopes.

Technical Details KP 3000	
Rolling base	600 mm height, adjustable
Binocular straight tube Binocular inclined tube 45°	f = 125 mm; f = 159 mm f = 125 mm; f = 159 mm
Objectiv	f = 300 mm (on choice f = 250 mm)
Eyepieces (WF)	WF 20 x V (on choice WF 16 x V)
Green filter	swing in green filter
Cold light illumination	12 V/100 W continuously adjustable (115 V and 220 V)
T-handle	can be mounted left or right side

Magnification with 3-step changer		
	Magnification	Field of view Ø
Objective f = 250 mm	6,5x	30 mm
	10,0x	18 mm
	16,0x	12 mm
Objective f = 300 mm	5,0x	36 mm
	8,0x	22 mm
	13,0x	15 mm

Magnification without changer (basic version)		
	Magnification	Field of view Ø
Objective f = 250 mm	10,0x	18 mm
Objective f = 300 mm	8,5x	22 mm



Karl Kaps GmbH & Co.KG • P.O. Box 12 25 • 35608 Asslar/Wetzlar
 Fon (+49) 64 41 8 0704-0 • Fax (+49) 64 41 8 5985
www.colposcopes.com • www.kaps-optik.de • e-mail: info@kaps-optik.de